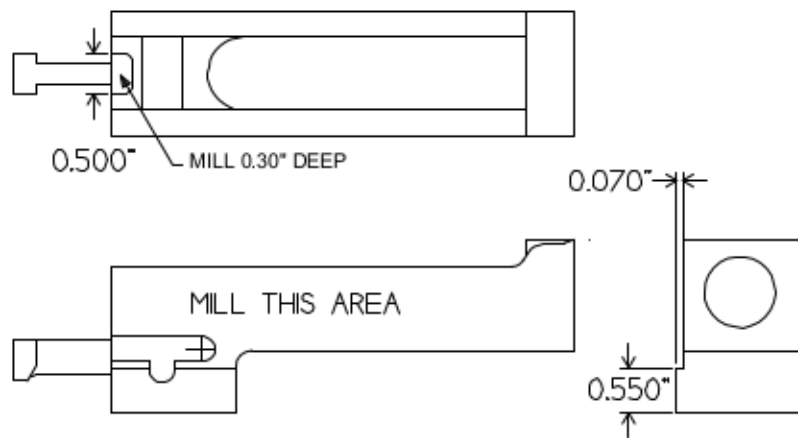
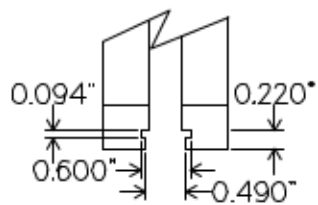


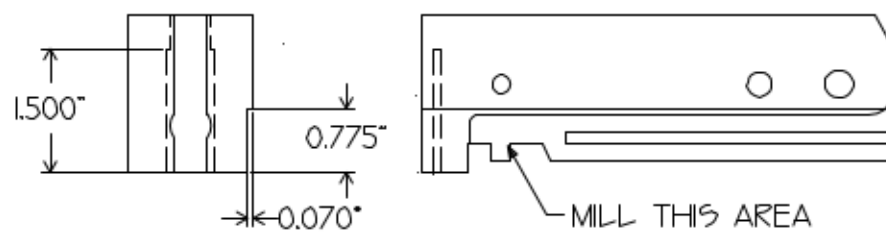
LOCK FRAME MODIFICATIONS



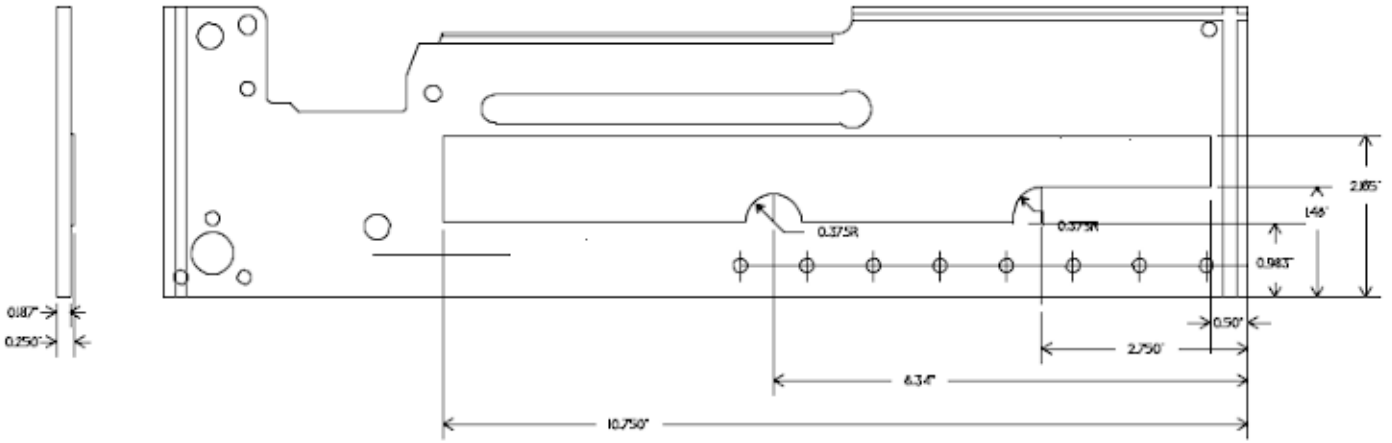
BARREL EXTENSION MODIFICATION



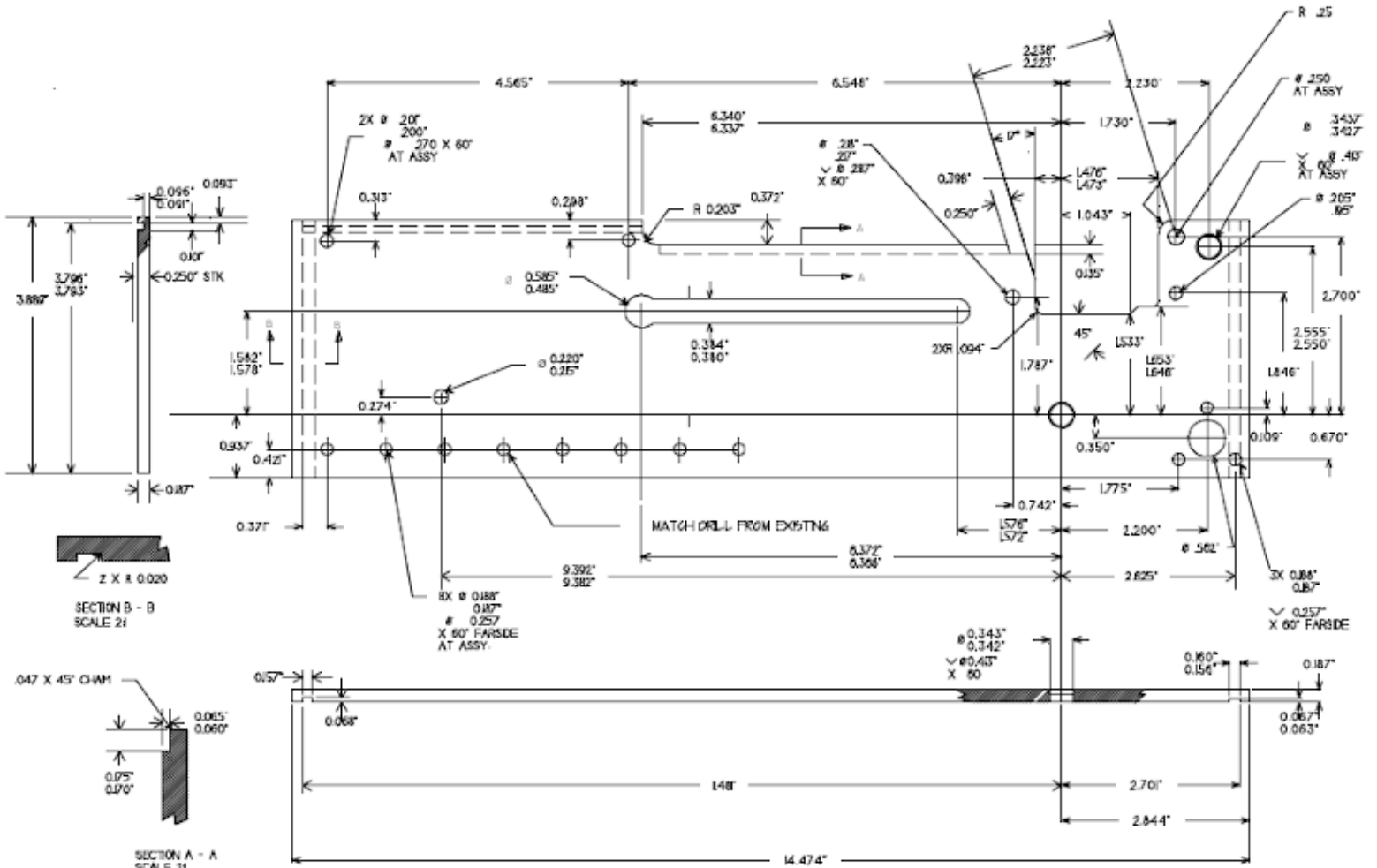
NOTE THESE MODIFICATIONS ARE ONLY FOR THE GEAR DESIGNED BY BB EMORY



BOLT MODIFICATIONS



RAISED PORTION OF 1919A4 SEMI SIDEPLATE



1919 BMG SEMIAUTO SIDE PLATE

**1919A4 SEMIAUTO MODIFICATIONS
BY B B EMORY 2002**